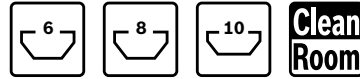
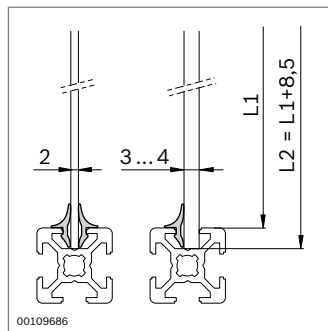
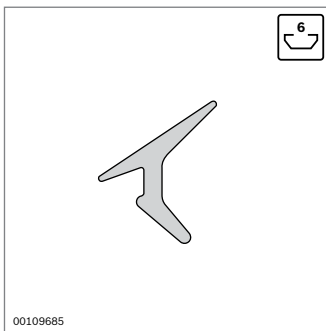


### Protective pane profile, cleanroom



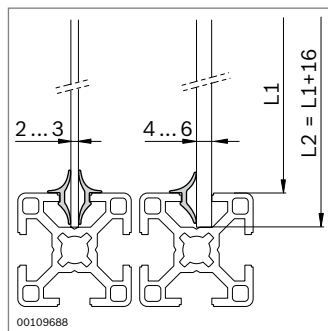
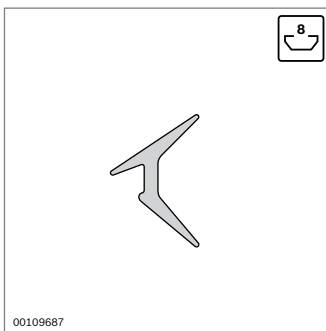
- ▶ For the play-free mounting of surface elements in the profile slot
- ▶ For surface elements with a thickness of 2 ... 8 mm
- ▶ One or both sides of the mounting rim profile used, depending on the thickness of the surface element
- ▶ Installation during profile frame assembly
- ▶ Suitable for use under cleanroom conditions
- ▶ Assessment of highly volatile organic emissions at room temperature, 50 °C and 120 °C, Report No. BO 9903-160

7



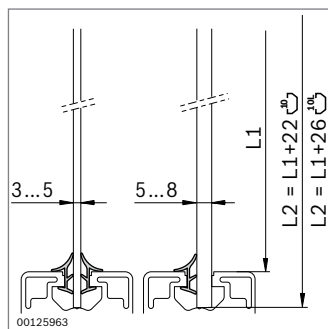
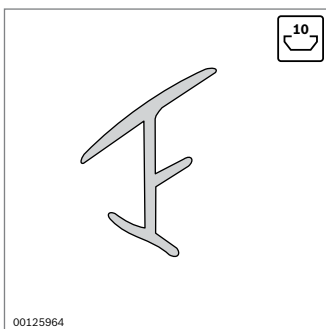
Protective pane profile, cleanroom	Slot	s (mm)	L (mm)	No.
	6	2 ... 4	10000	3 842 523 493

Material: TPE, light gray RAL 7035



Protective pane profile, cleanroom	Slot	s (mm)	L (mm)	No.
	8	2 ... 6	10000	3 842 523 494

Material: TPE, light gray RAL 7035



Protective pane profile, cleanroom	Slot	s (mm)	L (mm)	No.
	10	3 ... 8	10000	3 842 548 949

Material: TPE, light gray RAL 7035